



Acme Sanitary Ware Co Ltd

Acme Building, 22-28 Nanking Street, Kowloon, Hong Kong
Tel: 2388 7171 Fax: 2710 8012
E-mail: acme@acmesanitary.com.hk
Website: www.acmesanitaryware.com.hk



Pure Freude
an Wasser

PROJECT		REF		REV	ITEM CODE	
LOCATION		DATE			PAGE	

SANITARY WARE SPECIFICATION SHEET

Item Descriptions	GROHE (Germany) "Eurodisc Joy" Single-lever bidet mixer 1/2" S-Size
Dimensions	L116 x W50 x H182 mm
Model	24036000
Finish	Chrome Plated
Manufacturer	GROHE Limited
Supplier	Acme Sanitary Ware Co. Ltd Mr. Eric Wong/ Mr. Don Yuen
Contact Tel/Fax	(852) 2388-7171 / (852) 2710-8012
E-mail	acme@acmesanitary.com.hk
Website	www.acmesanitary.com.hk

Illustration/ Drawing



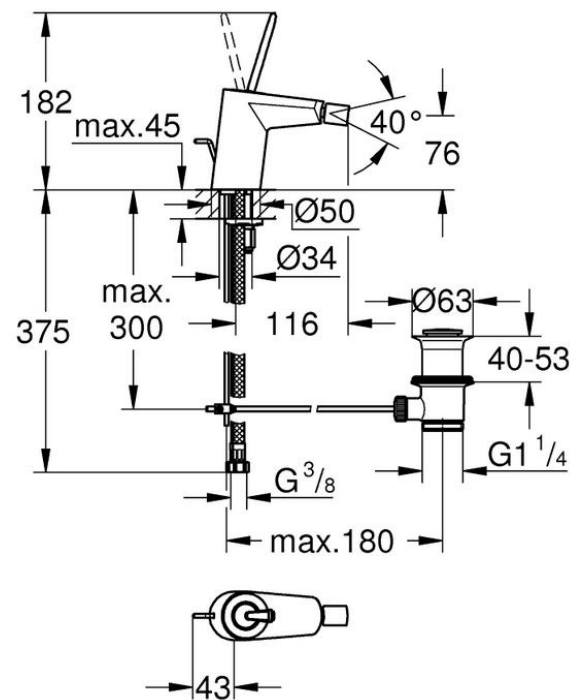
"Eurodisc Joy" Bidet mixer 1/2" S-Size

- monobloc installation
- metal lever
- GROHE FeatherControl Joystick cartridge
- **GROHE StarLight** chrome finish
- **GROHE EcoJoy ball-joint mousseur 5.7 l/min**
- **GROHE FastFixation Plus** installation system
- pop-up waste set 1 1/4"
- flexible connection hoses



24036000

24036LS0



Colour options:

● 000 Chrome

○ LS0 MoonWhite

Note:

* All information of the above is for the reference only. No prior notice is made if any changes.



Acme Sanitary Ware Co Ltd

Acme Building, 22-28 Nanking Street, Kowloon, Hong Kong
Tel: 2388 7171 Fax: 2710 8012
E-mail: acme@acmesanitary.com.hk
Website: www.acmesanitaryware.com.hk



Pure Freude
an Wasser

PROJECT		REF		REV	ITEM CODE	
LOCATION		DATE			PAGE	

SANITARY WARE SPECIFICATION SHEET

GROHE EURODISC JOY

DESIGN THAT GIVES PLEASURE

Out of the ordinary. Take it easy for the whole day – just switch off your mind and let inspiration into your everyday life. Eurodisc Joy bathrooms were created for connoisseurs of pleasure, who love unique things and appreciate creative details. This collection is so special that it won us the Red Dot Design Award.



Easy to clean thanks to the GROHE StarLight chrome coating

Just wipe the tap down with a dry cloth – the ultra smooth surface finish is scratch resistant and ensures a lasting luminous sheen. You'll save plenty of time cleaning while your tap always looks shiny and new.



GROHE EcoJoy with water-saving function for reduced consumption

GROHE EcoJoy reduces water consumption by up to 50% without compromising on performance. Whenever you turn on your tap, you will enjoy a full jet of water while saving money nonetheless.

Smooth joystick handling for effortless precision and ultimate convenience to last a lifetime. The brand new GROHE FeatherControl cartridge brings joystick control to a whole new level. Using state-of-the-art coated ceramic discs and an innovative sealing, the GROHE engineers have created a joystick cartridge with a wider volume and temperature angle – for a more precise control – with the same silky smooth operation as our renowned GROHE SilkMove® cartridge.

Only GROHE mixers deliver the unique GROHE FeatherControl experience. The solid smooth handling of our joystick-lever mixers perfectly expresses the quality and superiority of our brand.brand.



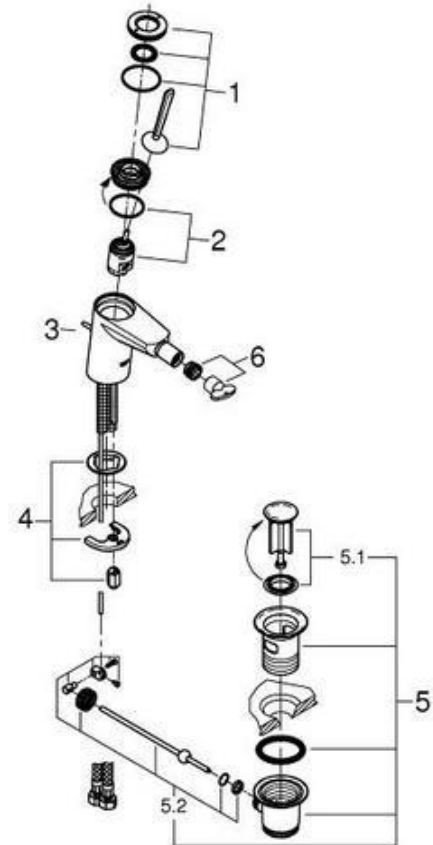
The wide FeatherControl temperature angle ensures more precise temperature control.



Effortless fingertip control and silky smooth operation, thanks to the superior ceramic disc-coating.



GROHE FeatherControl



	5.2	180mm
	8	350mm

	7	13mm
	5.1	

Pos.-nr.	Prod. description	Order-nr.
1	Lever	46906000
2	Cartridge	46907000
3	Pop-up rod	46739000
4	Shank fastening assembly	46645000
5	Waste set 1 1/4"	28910000
6	Mousseur	13998000
7	Mounting wrench	19017000*
8	Ball rod	07341000*

* Optional accessories

Even after years FeatherControl guarantees the same smooth operation as on day one.

Note:

* All information of the above is for the reference only. No prior notice is made if any changes.